

### Safety instructions

Before operating the unit, please read this manual thoroughly and retain it for future reference. Failure to observe these instructions might damage the device. The device may only be installed and connected by professional electricians. All relevant rules and regulations valid in the country of use, as well as KNX guidelines, apply.

### Description

Auro is a miniature KNX motion detector, which connects directly to the KNX bus without external interface. Auro has an external diameter of 52mm, the inside fitting diameter is 43mm with an installation depth of only 39mm.

The detection range of Auro is set for residential applications. Horizontal reach is 360°, while the vertical reach attains circa 90°.

If installed at height of 2.5m, Auro has a detection range with a diameter of approximately 5m. Maximum detection height is 5m.

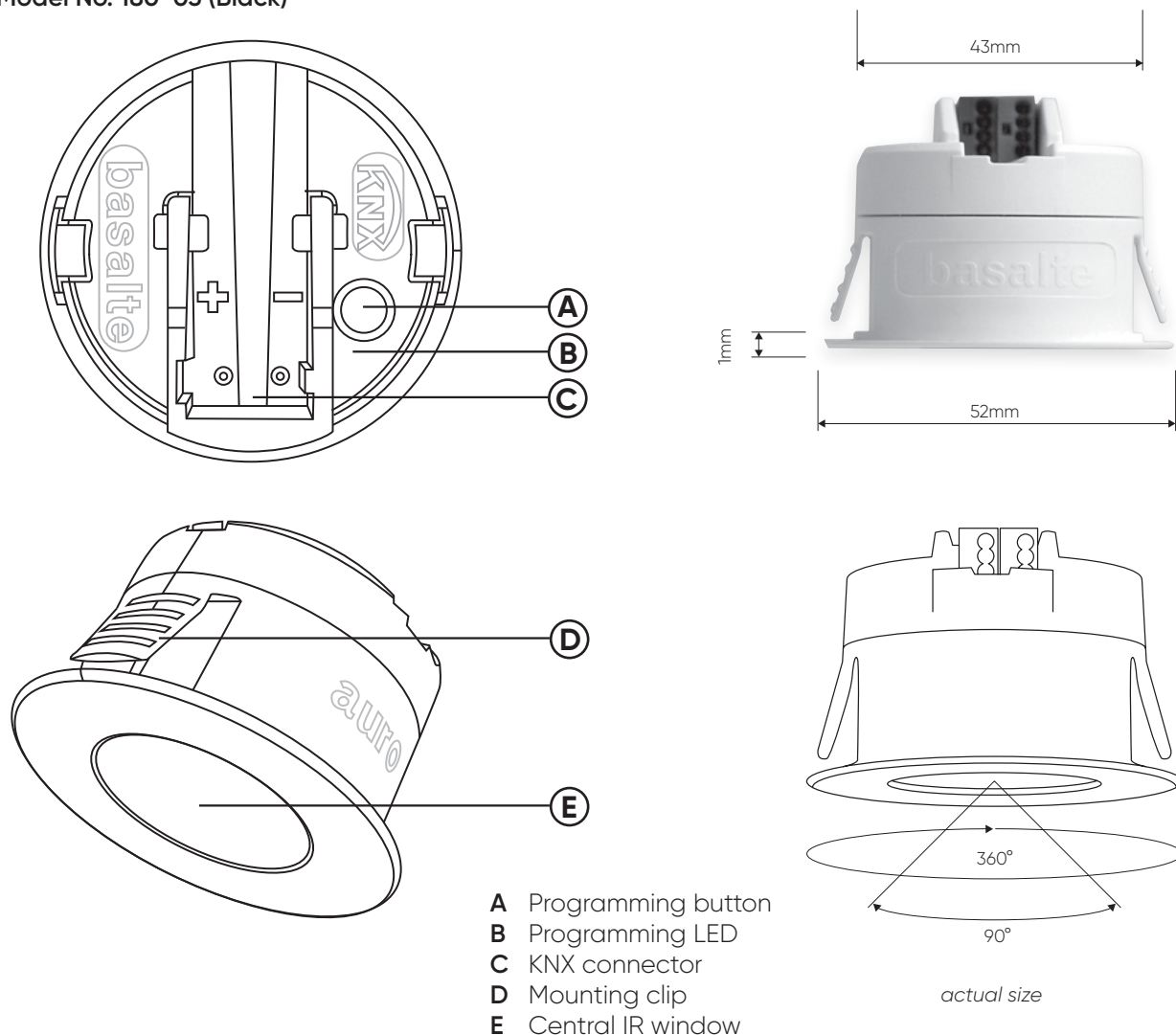
The motion sensor can be used to switch or dim the lights and at the same time control the ventilation. Auro contains a built-in light sensor that can be used as an individual lux meter (180-02 only), the temperature sensor can be used for home automation.

An incorporated led allows Auro to light up with every movement but can also be used as a nightlight.

### Components

**Model No. 180-02 (White)**

**Model No. 180-03 (Black)**



- A Programming button
- B Programming LED
- C KNX connector
- D Mounting clip
- E Central IR window

### Important advice



- Never connect the device to 230V or in the vicinity of it. Make sure to maintain the distance specified in the applicable standards and regulations.
- Do not paint over the central IR window since this will prevent Auro to operate correctly.

### Installation and commissioning

- Auro is intended for ceiling mounting. In order to install Auro, an opening should be made with a diameter of 43mm.
- Connect the bus line according to the KNX standard.
- The required voltage to operate comes from the KNX bus.
- Load the physical address into Auro from ETS via the KNX bus.
- Commission the Auro using ETS and load the configuration into the device.
- Please refer to the software manual to configure the Auro.

### Technical data

#### **Features:**

- PIR motion sensor
- lux sensor (only white version)
- temperature sensor
- monochrome white LED

**Initialisation:** after a bus voltage failure or a bus reset, Auro will not be ready for operation for at least 5 seconds.

**Current consumption KNX bus:** 10mA

#### **Ambient temperature:**

Operation: -5°C to 45°C  
Storage: -15°C to 55°C  
Transport: -15°C to 55°C

**Max. humidity:** 93% relative humidity,  
no moisture condensation

#### **Protection class:** II

Type of protection: IP 20

**Certification:** CE